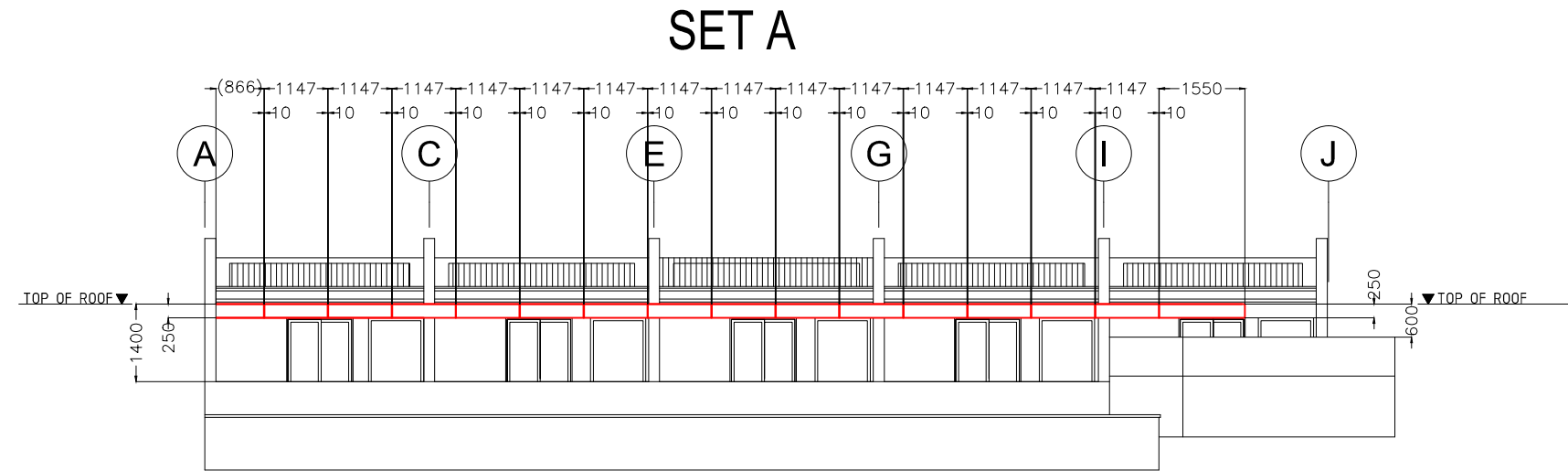
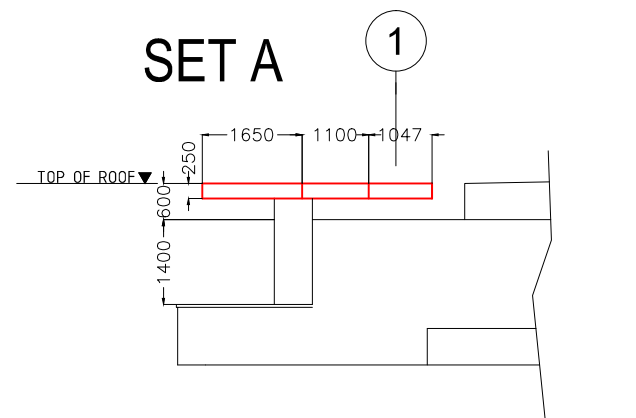


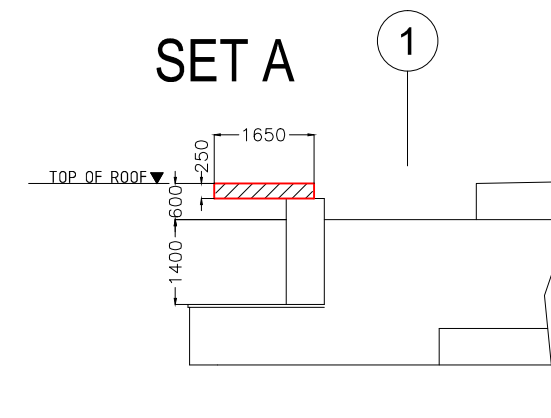
1 ROOF PLAN
SCALE 1:125M



1 LEFT-SIDE ELEVATION
SCALE 1:125MTS



1 FRONT ELEVATION
SCALE 1:125MTS



1A FRONT SECTION ELEVATION
SCALE 1:125MTS

ALMATELCOM BUILDERS, INC.
009 10th Floor Mega Plaza City and Land ADB Ave.
Cor. Garnet Road, Ortigas Center, Pasig City
TN : 632-565-9141, MN 09292929569

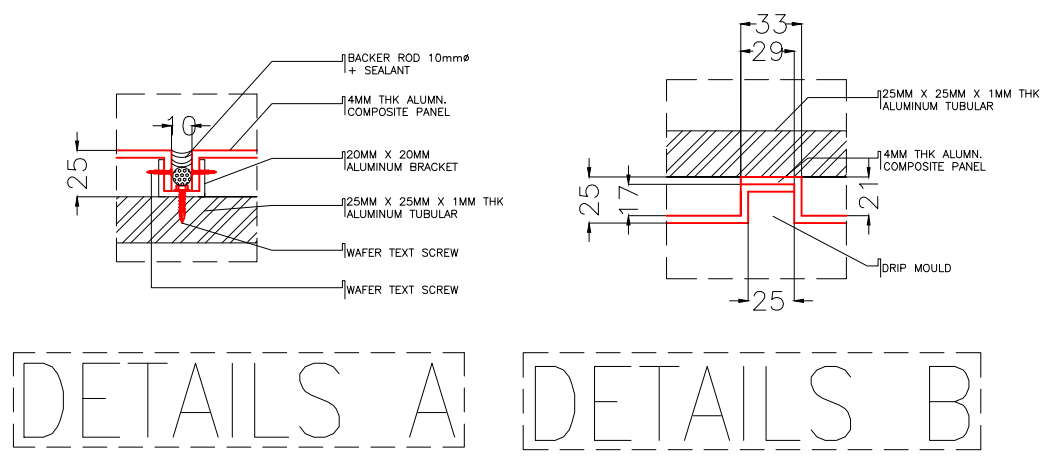
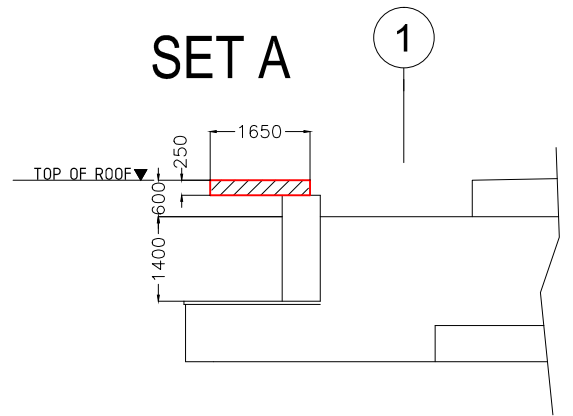
PROJECT: **CANOPY**
LOCATION: -

APPROVED BY:
ARCH . BENSON DY

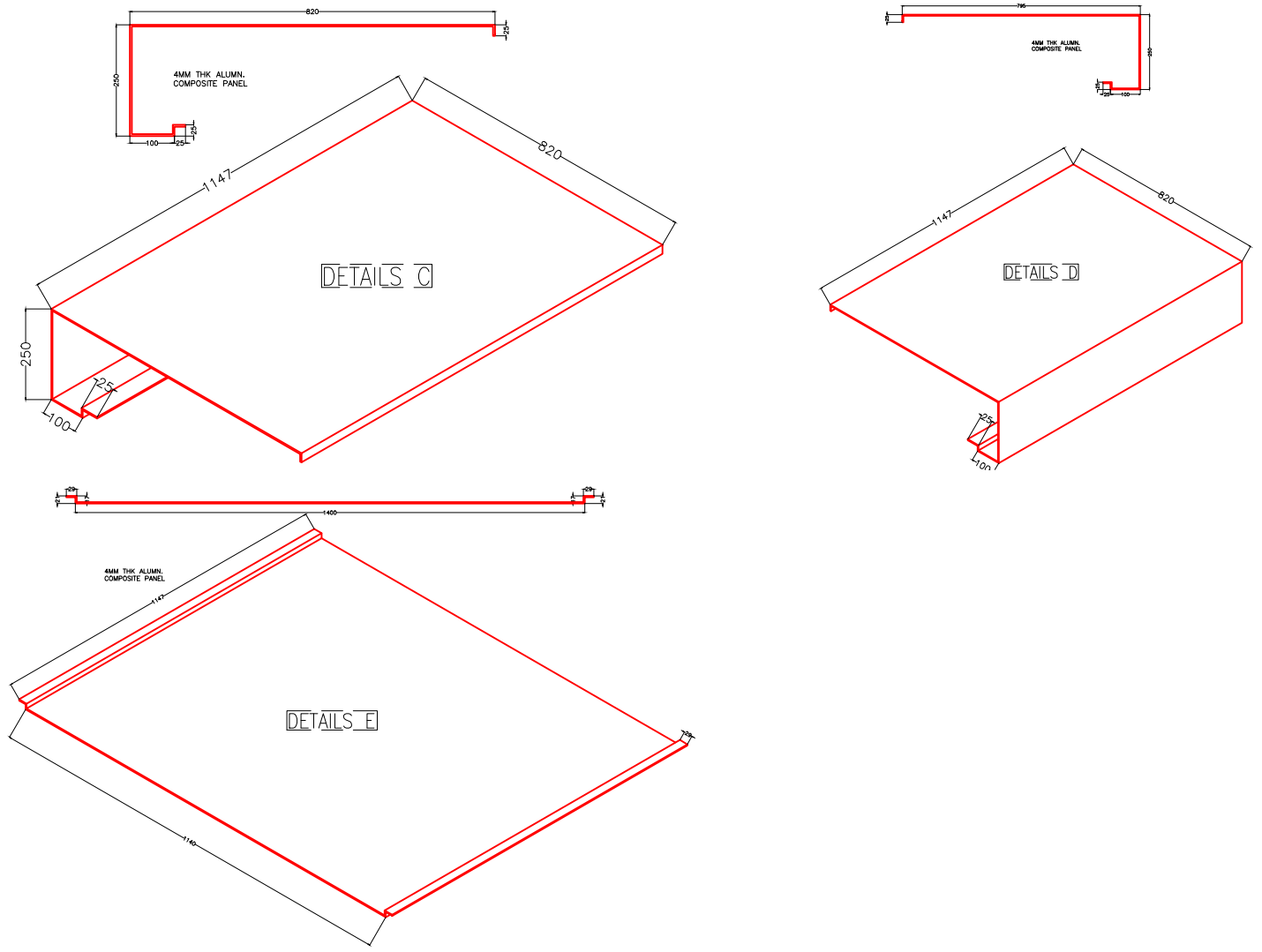
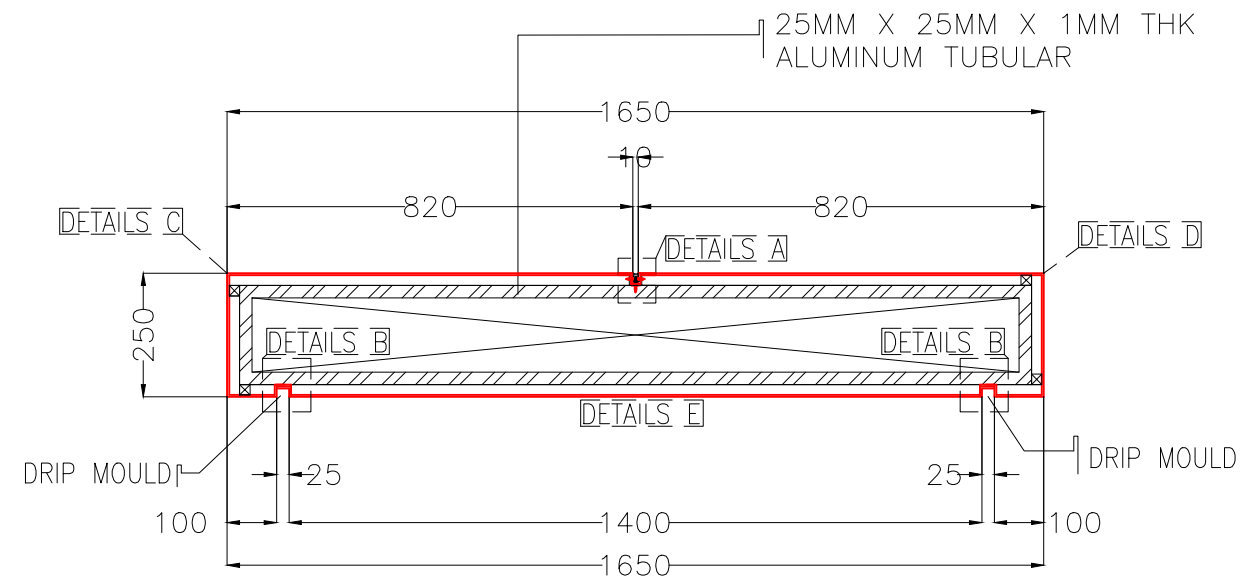
CADD BY:	RON	No.	BY	DATE	REVISIONS
CHECKED BY:	RIC				
APPROVED BY:	RIC				
DATE:	10.25.12				

SHEET CONTENT:
AREA PLAN
SCALE 1:125M

SHEET No.
01



1A FRONT SECTION ELEVATION
SCALE 1:125MTS



ALMATELCOM BUILDERS, INC.
009 10th Floor Mega Plaza City and Land ADB Ave.
Cor. Garnet Road, Ortigas Center, Pasig City
TN : 632-565-9141, MN 09292929569

PROJECT: **CANOPY**
LOCATION: -

APPROVED BY: **ARCH . BENSON DY**

CADD BY:	RON	No.	BY	DATE	REVISIONS
CHECKED BY:	RIC				
APPROVED BY:	RIC				
DATE:	10.25.12				

SHEET CONTENT: **DETAILS DRAWING**
SCALE NTS

SHEET No. **02**