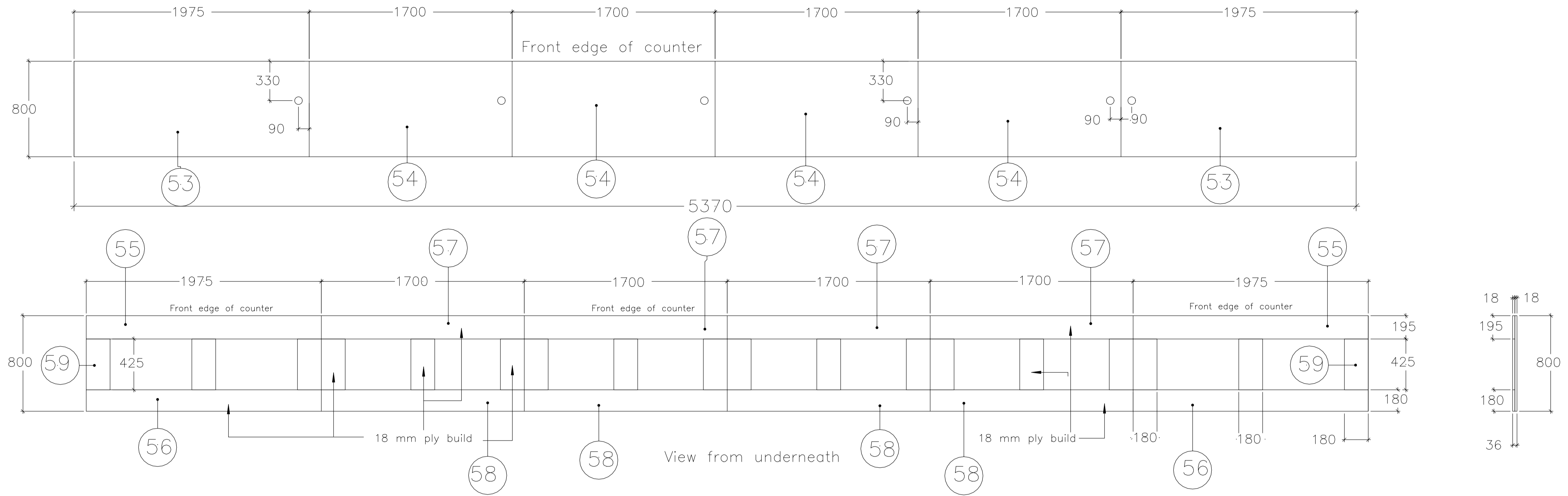
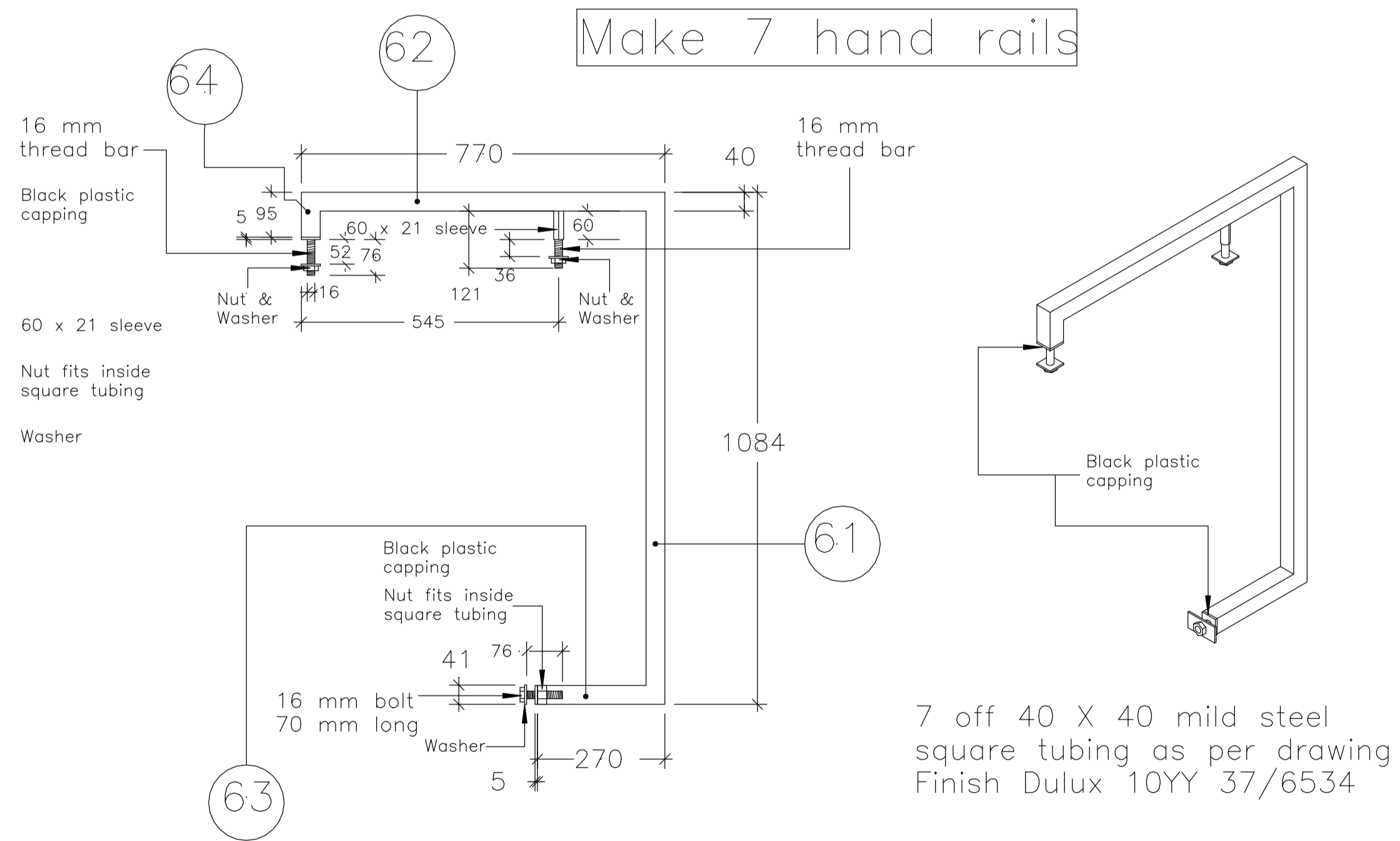


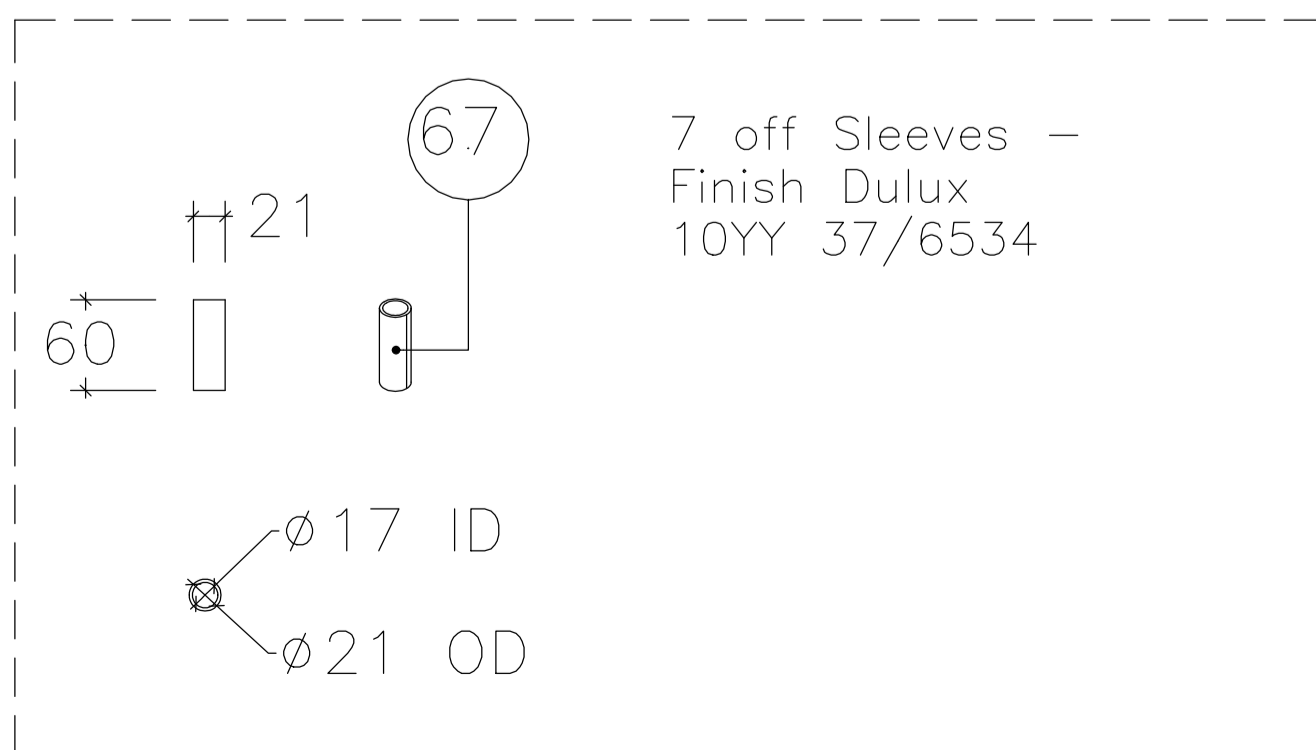
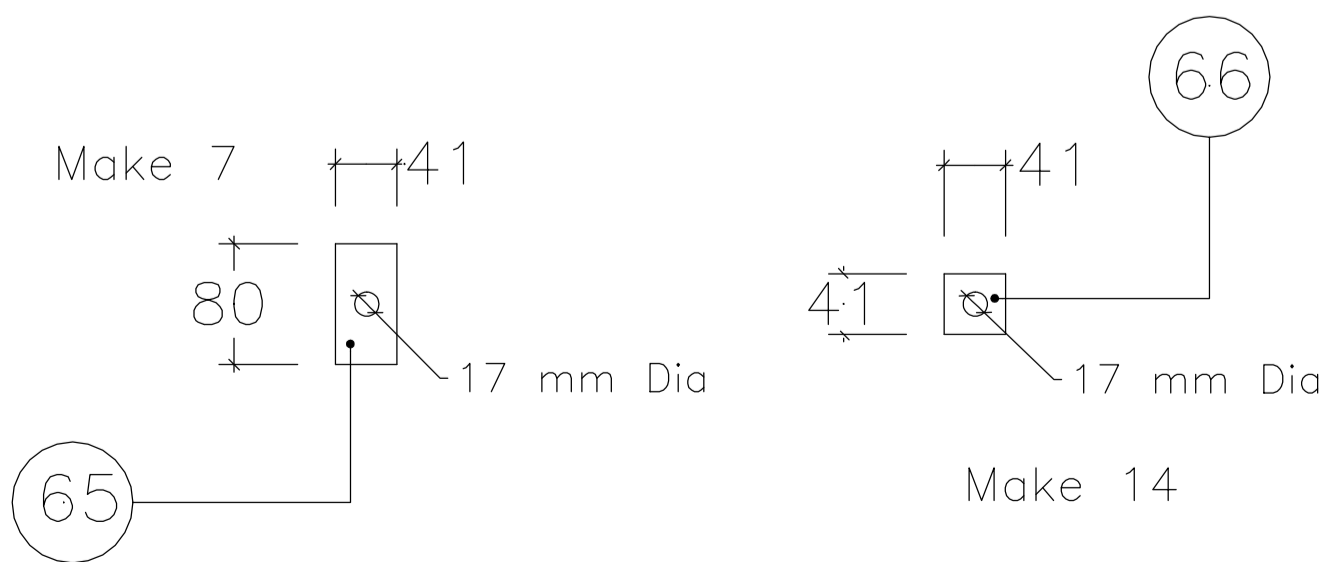
Contractors Counter- Counter tops in 18 mm pine ply – clad with formica Sunflower 084



Make 7 hand rails



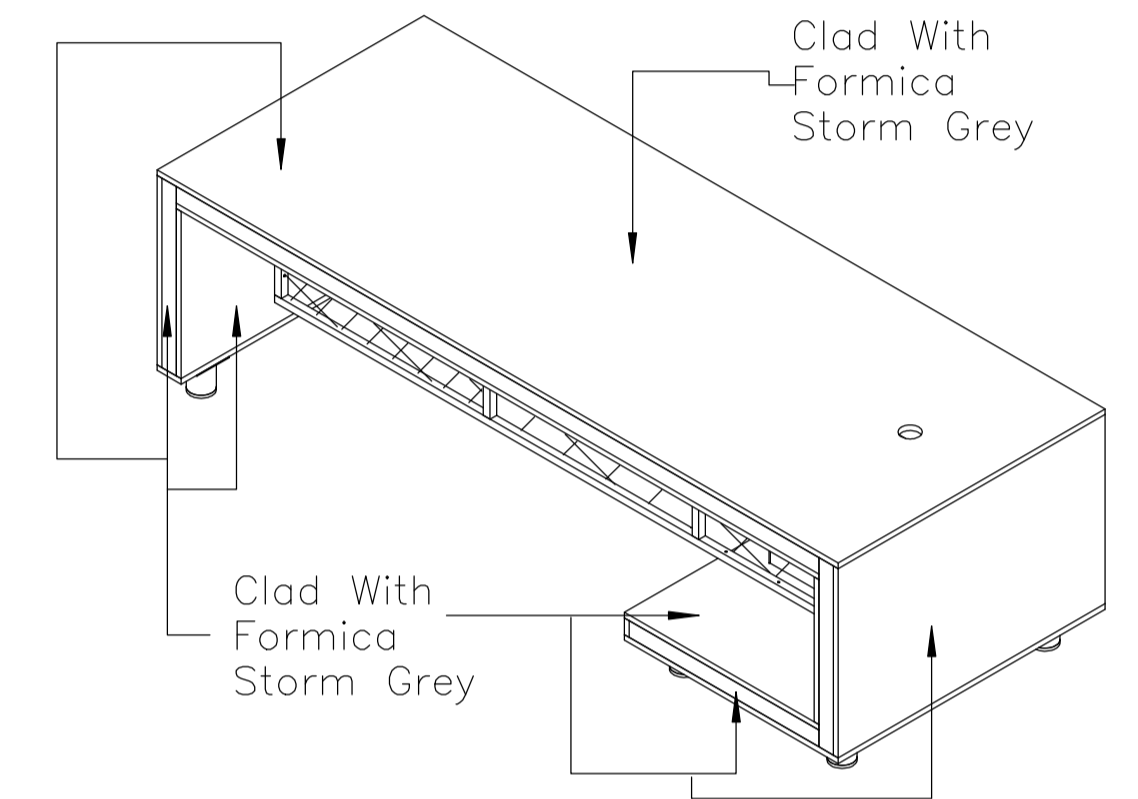
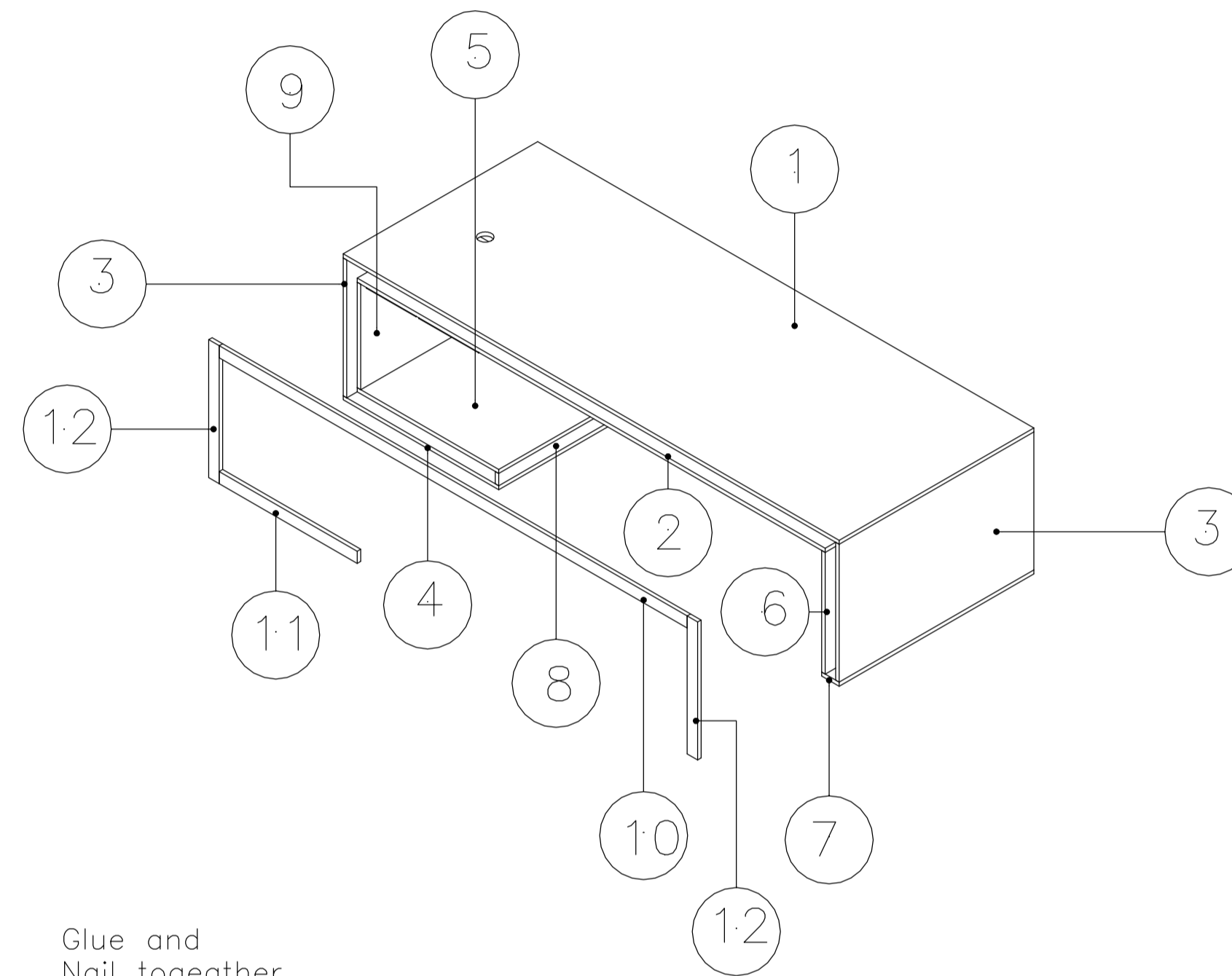
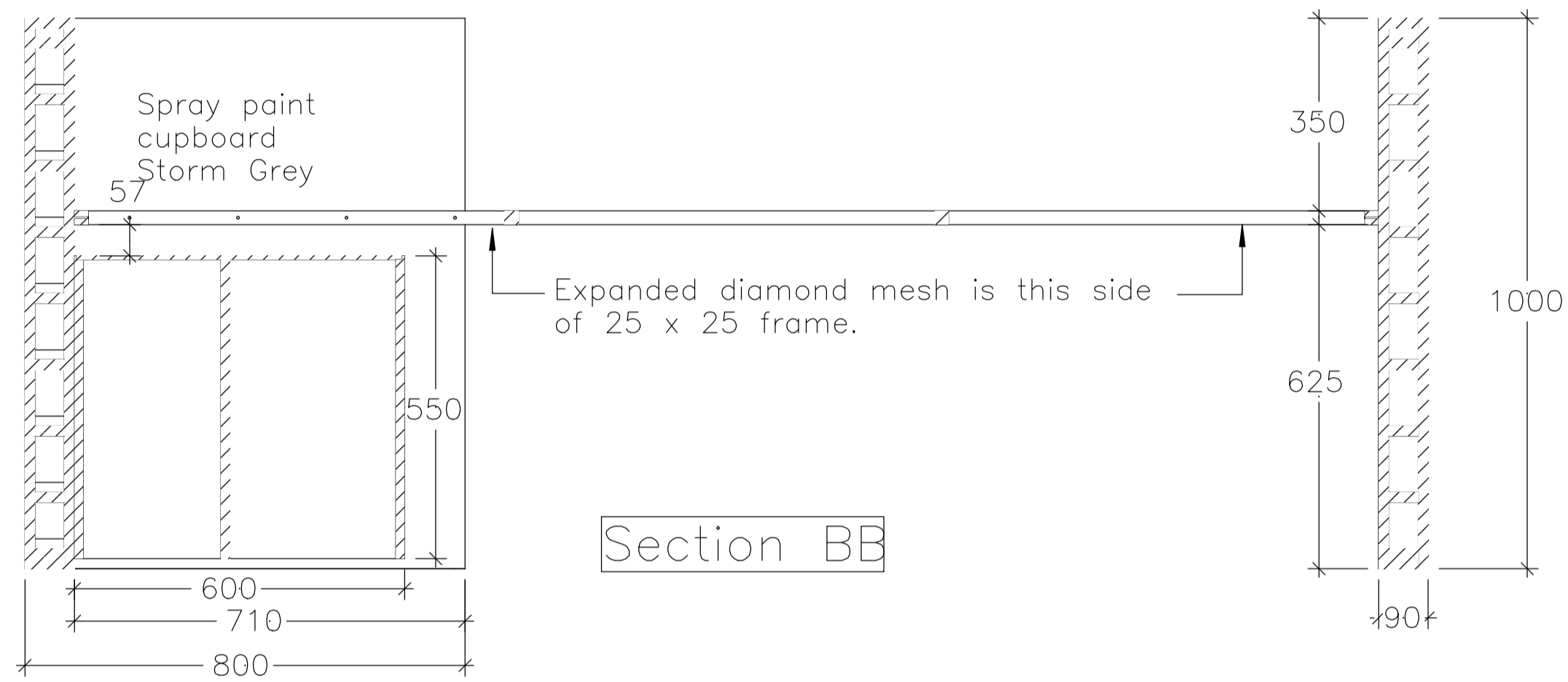
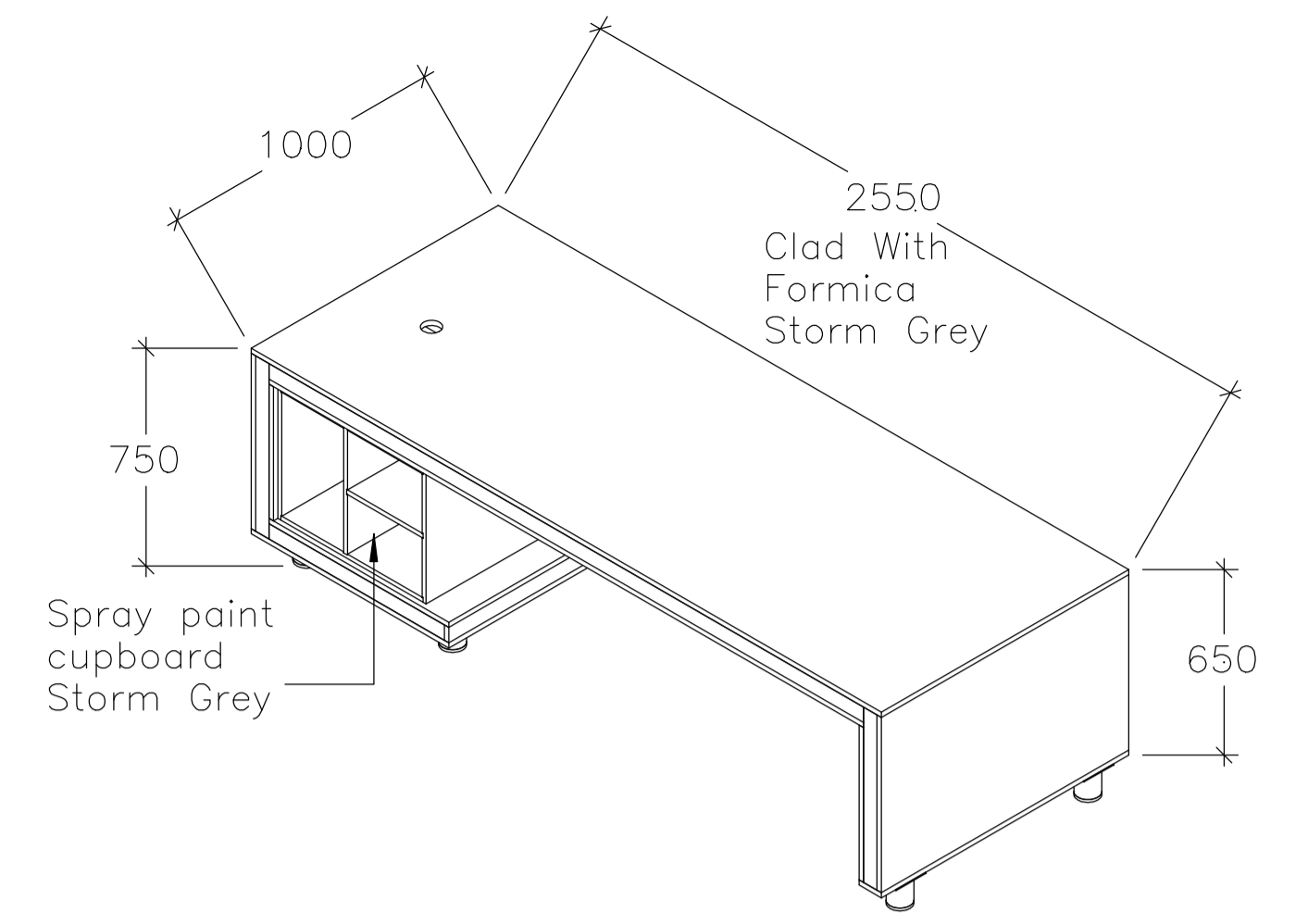
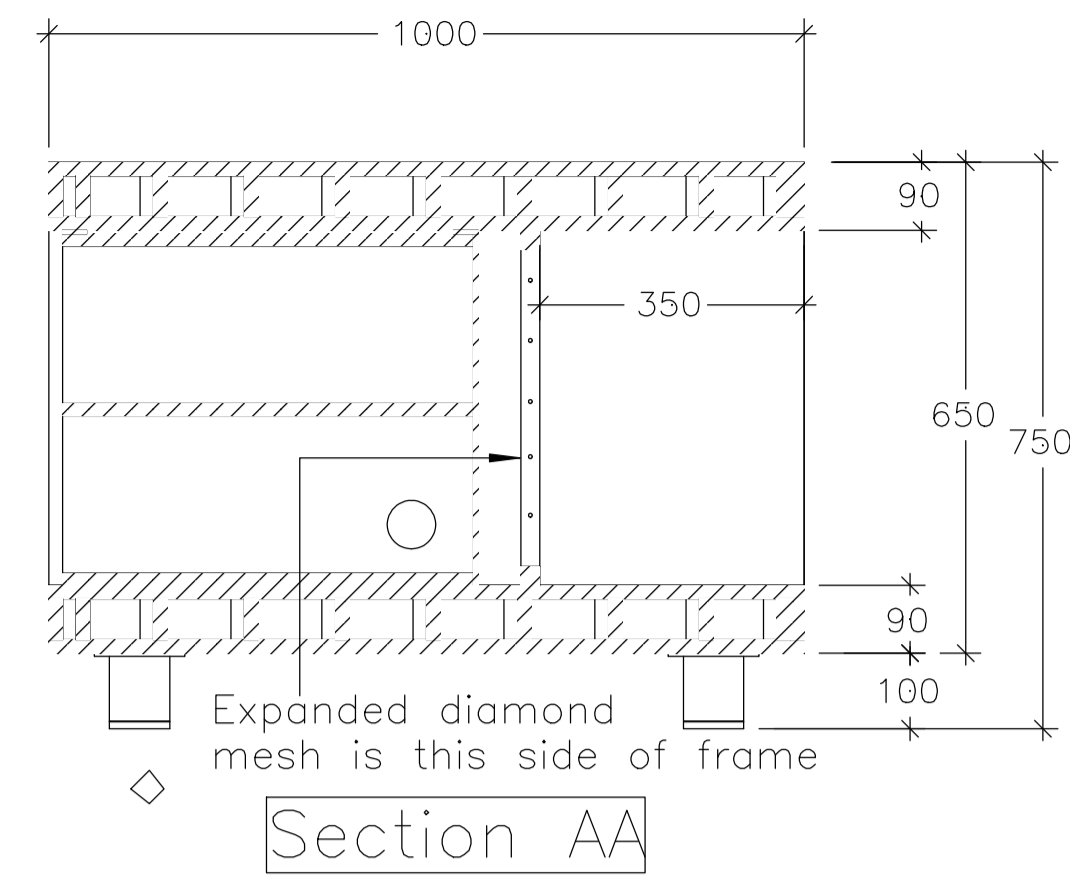
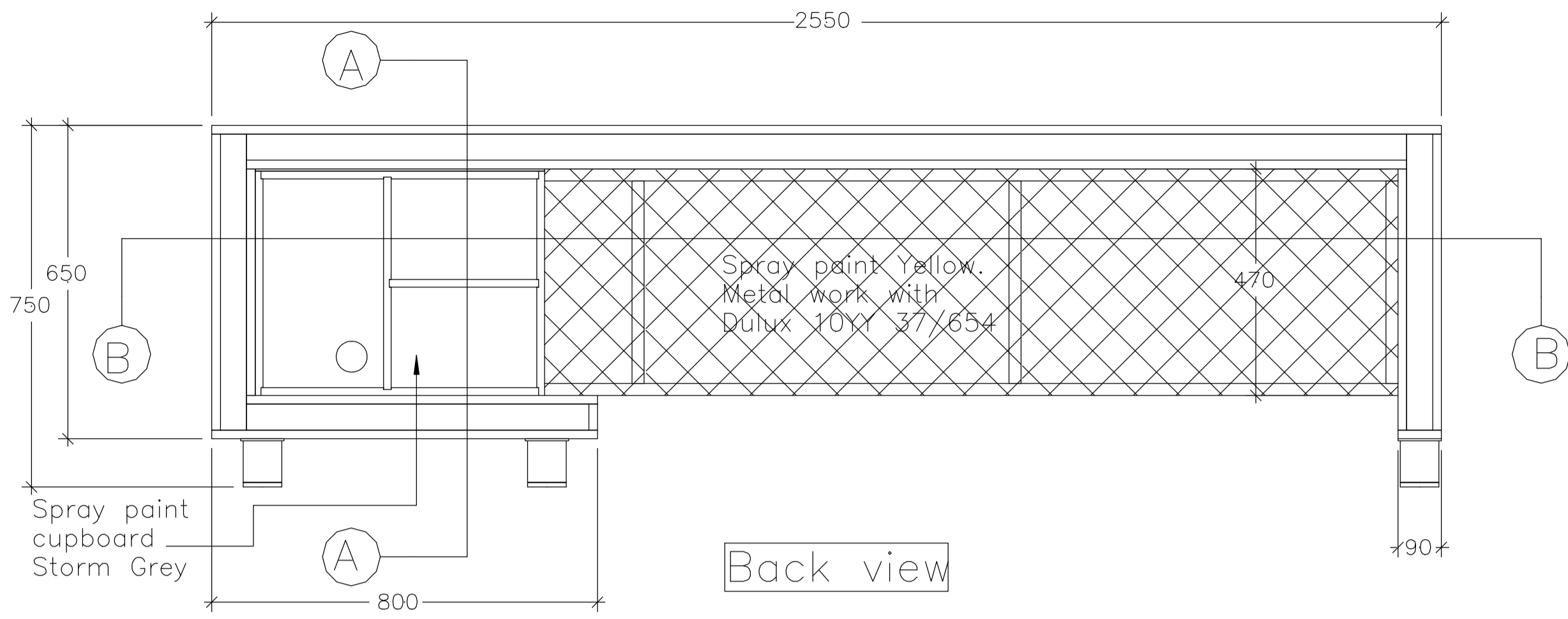
7 off 40 X 40 mild steel square tubing as per drawing
Finish Dulux 10YY 37/6534



	DISCRIPTION: 6043-D03 Contractors Counter		DRAWING No I-002a
	SCALE: 1: 20	WR#: I-002a	CLIENT REF. No
	DRAWN BY: John	DATE: 15-May-11	REV.
			SHEET: A1 2/2

Contractors Counter – Table 2550x1000x750h

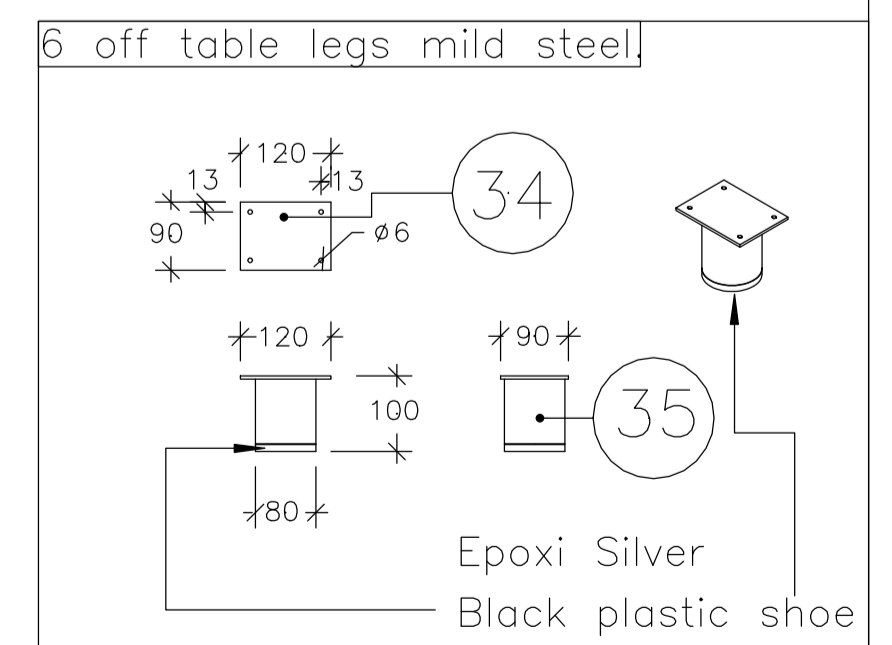
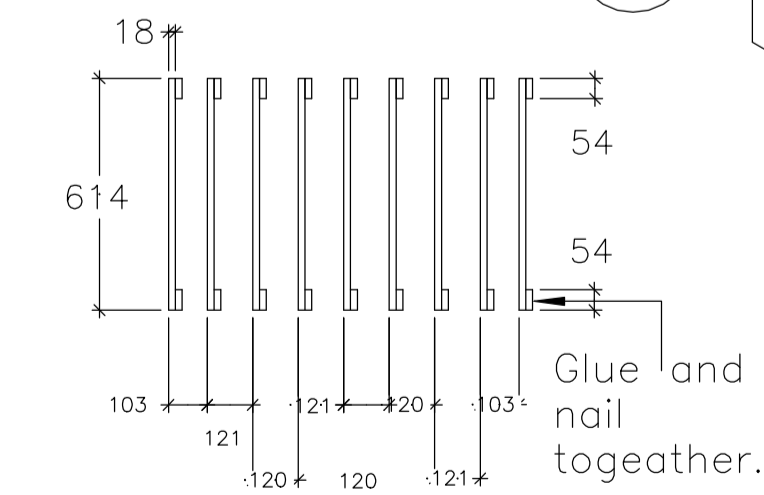
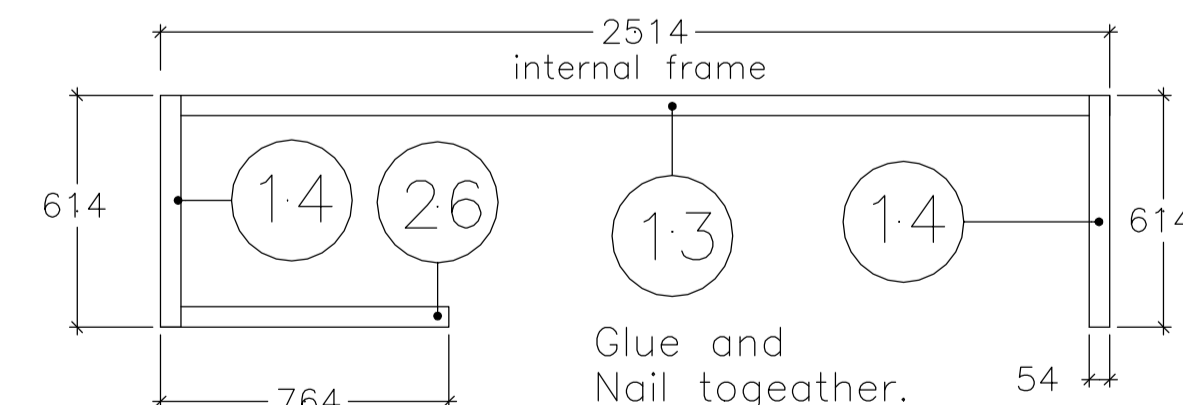
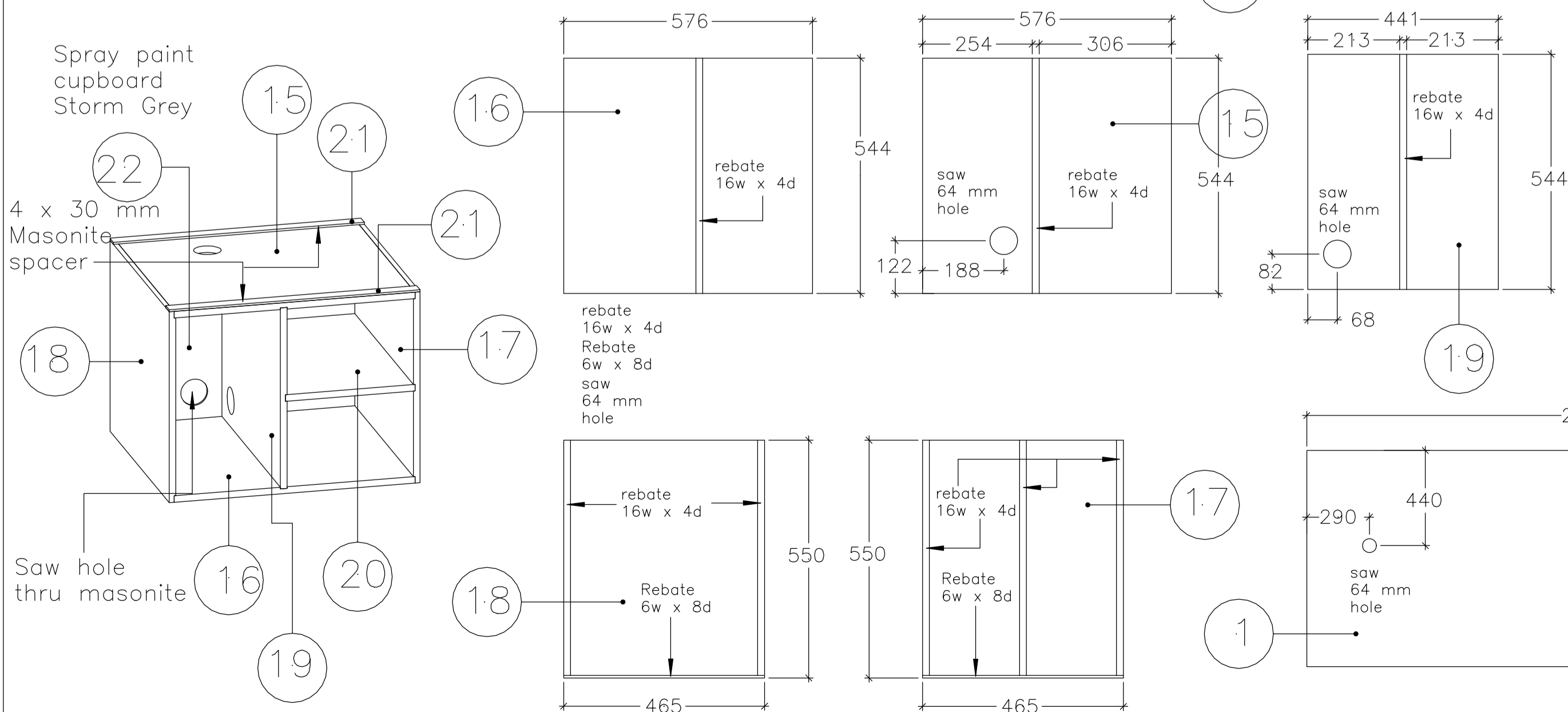
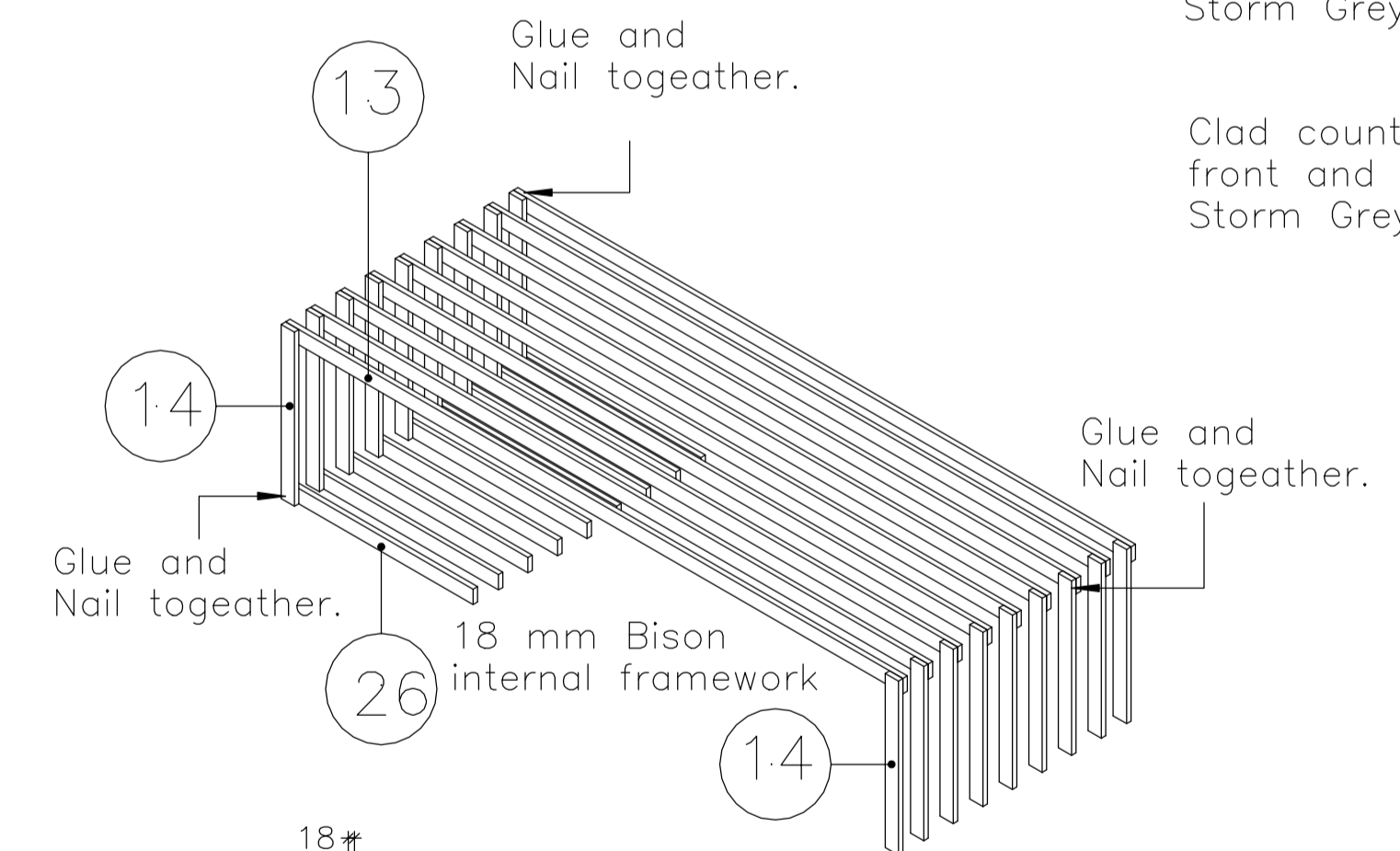
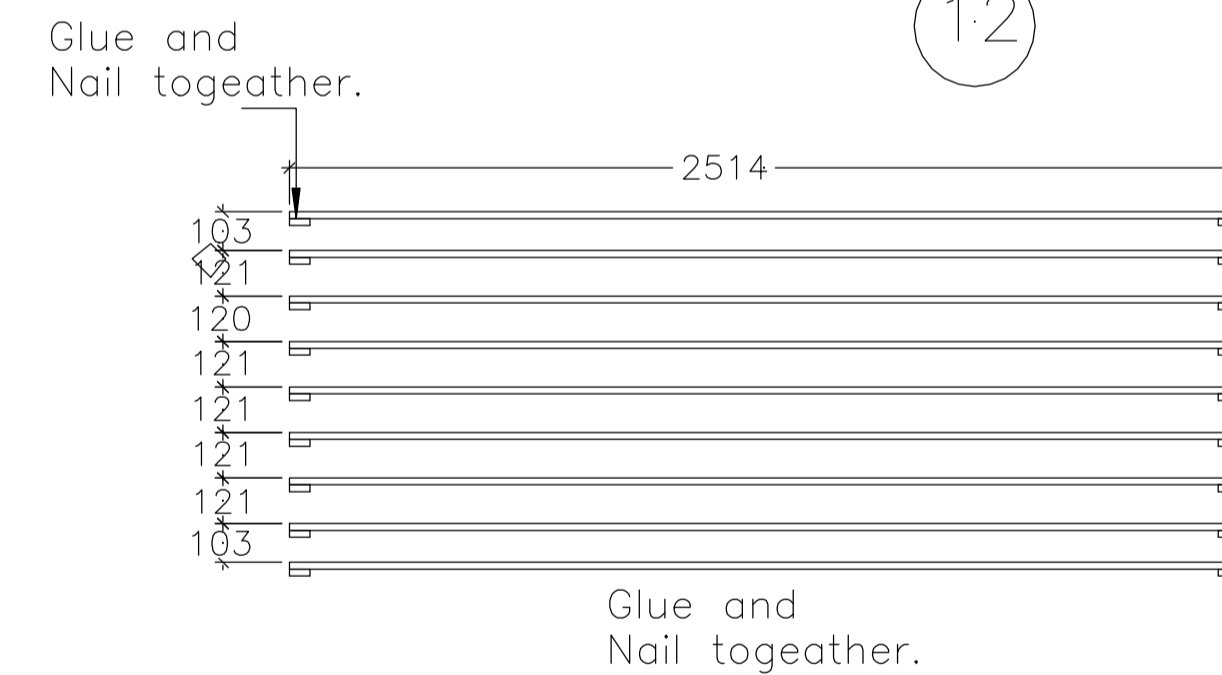
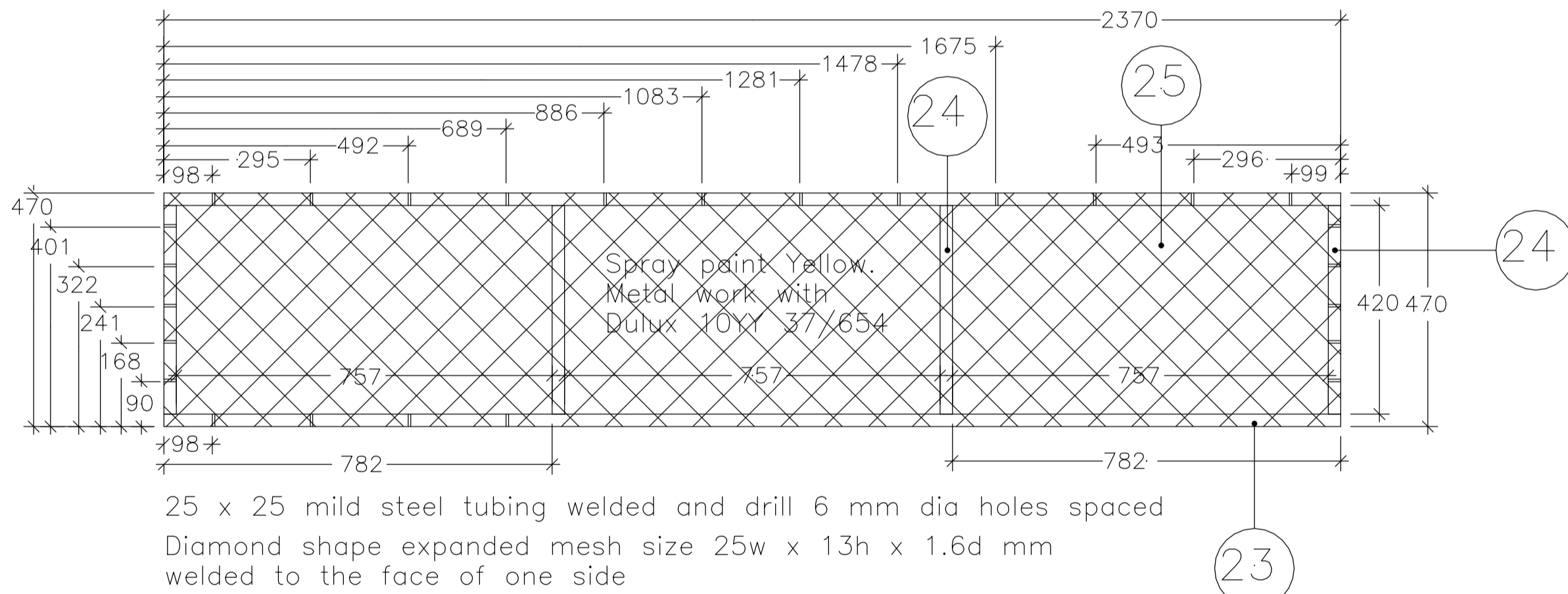
-- Make 2 off – Mirrored



Spray paint metal work with Dulux 10YY 37/654

Spray paint cupboard Storm Grey

Clad counter top, sides, front and back, with Storm Grey Formica



	DRAWING No		I-002b	
	JOB:		Illiad - Builders Market Middleburg	
	DISCRIPTION:		6043-D03 Contractors Counter - Table	
	SCALE:	1: 10	WR#:	I-002b - 1-2
	DRAWN BY:	John	DATE:	15-May-11
		CLIENT REF. No		
		REV.		
		SHEET:	A1 1/1	

